

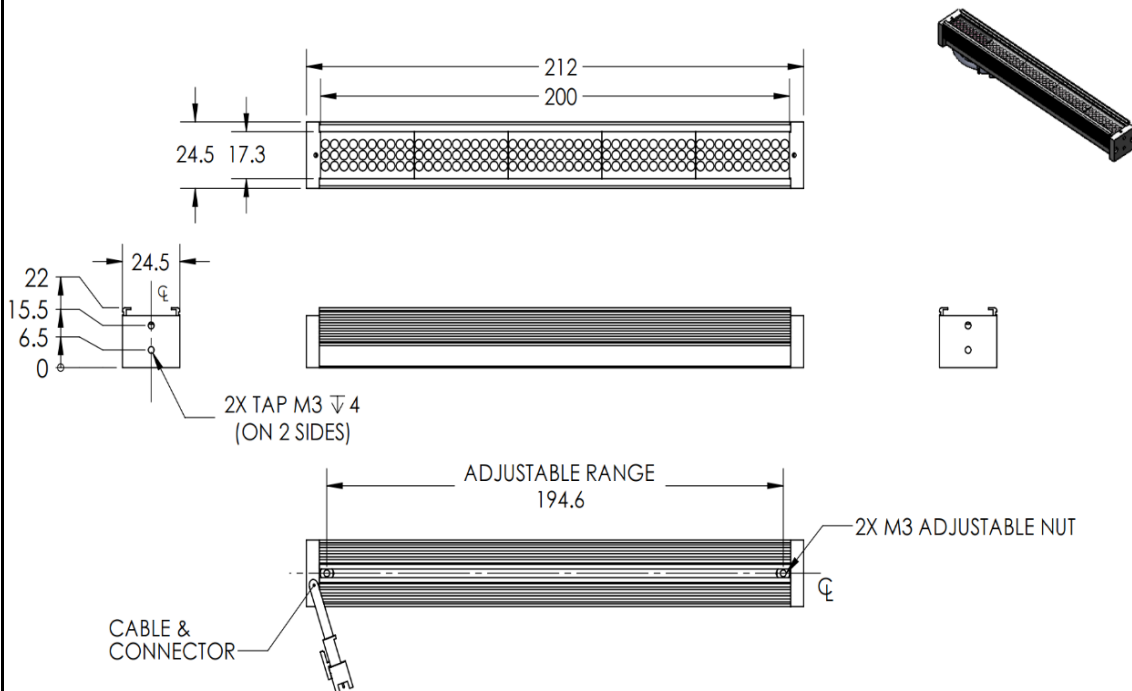


OPTO ENGINEERING

ILLUMINATOR DATA

LTZPFL200-00-3-IR850-24V

Lighting Dimension



Mechanical Information

| | |
|---------------------------|-----------|
| Casing Material | Aluminium |
| Storage Temperature Range | 0 - 45°C |
| Storage Humidity Range | 20 - 85% |
| Weight | 140g |
| Length / Outer Diameter | 212mm |
| Width / Inner Diameter | 24.5mm |
| Thickness / Height | 22mm |



OPTO ENGINEERING

ILLUMINATOR DATA

LTZPFL200-00-3-IR850-24V

| Lighting Information | | | | | | | | | | | | | | | | | | | | | | | |
|---|--|---------|--------|-------|-------|-------|-------|-------|-------|-------|-------|------|------|---|-------|-------|-------|-------|---|-------|-------|-------|-------|
| Part Number | LTZPFL200-00-3-IR850-24V | | | | | | | | | | | | | | | | | | | | | | |
| LED Color | IR850 | | | | | | | | | | | | | | | | | | | | | | |
| Wavelength | 850nm | | | | | | | | | | | | | | | | | | | | | | |
| Working Distance | 80 mm | 90 mm | 100 mm | | | | | | | | | | | | | | | | | | | | |
| Intensity ($\pm 15\%$) | - | - | - | | | | | | | | | | | | | | | | | | | | |
| Illumination (number of row) | 3 | | | | | | | | | | | | | | | | | | | | | | |
| Illumination Active Area | Active Length / Outer Dia. | 200 mm | | | | | | | | | | | | | | | | | | | | | |
| | Active Width / Inner Dia. | 17.3 mm | | | | | | | | | | | | | | | | | | | | | |
| Emission angle | 0 | | | | | | | | | | | | | | | | | | | | | | |
| Eye Safety Class (IEC62471) | EXEMPT | | | | | | | | | | | | | | | | | | | | | | |
| Chromaticity Table For White colour only | <table border="1"> <tbody> <tr> <td>X</td> <td>0.296</td> <td>0.287</td> <td>0.307</td> <td>0.311</td> <td>X</td> <td>0.311</td> <td>0.307</td> <td>0.33</td> <td>0.33</td> </tr> <tr> <td>Y</td> <td>0.276</td> <td>0.295</td> <td>0.315</td> <td>0.294</td> <td>Y</td> <td>0.294</td> <td>0.315</td> <td>0.339</td> <td>0.318</td> </tr> </tbody> </table> | | | X | 0.296 | 0.287 | 0.307 | 0.311 | X | 0.311 | 0.307 | 0.33 | 0.33 | Y | 0.276 | 0.295 | 0.315 | 0.294 | Y | 0.294 | 0.315 | 0.339 | 0.318 |
| X | 0.296 | 0.287 | 0.307 | 0.311 | X | 0.311 | 0.307 | 0.33 | 0.33 | | | | | | | | | | | | | | |
| Y | 0.276 | 0.295 | 0.315 | 0.294 | Y | 0.294 | 0.315 | 0.339 | 0.318 | | | | | | | | | | | | | | |

| Electrical Information | |
|---|---------------|
| Rated Constant Voltage | 24V $\pm 2\%$ |
| Rated Constant Current | 225mA |
| Power Consumption | 5.4W |
| Casing temperature, After 60 minutes operation | 45.6 °C |


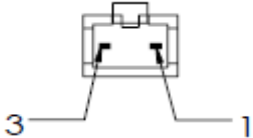
| Strobe Mode Specification | |
|-------------------------------|----------------------------|
| *Normal Strobe Voltage | 24 V |
| *Normal Strobe Current | 225 mA |
| Overdrive Voltage Range | Min: 36V Max: 48V |
| Overdrive Current Range | Min: 1 A Max: 1.545 A |
| Recommended Overdrive Voltage | 36V |
| **Max. Trigger Pulse Duration | 10 msec |
| **Max. Duty Cycle | 10% |

*Normal strobe means the lighting is operated using the rated power. Overdrive means the power supplied to the lighting exceeded the rated power.

**Overdrive condition must not exceed the max. trigger pulse duration and max. duty cycle.

ILLUMINATOR DATA

LTZPFL200-00-3-IR850-24V

| Connection Information | | | |
|--|-------------|--------|--------------|
| Connector Type (Default) | JST SMR-03V | | |
| Cable Length | 50 cm | | |
| Pin Configuration  | Pin | Signal | Cable Colour |
| | 1 | LED + | Red |
| | 2 | N.C | - |
| | 3 | LED - | White |
|  | | | |

| Additional Information | |
|--------------------------------|--|
| Additional Cooling Method | Attached to machine part for better heat dissipation |
| Intensity Controller Selection | SD, ST, ANG, LC, SDA, SDP series |
| CE Conformity | YES |
| RoHS Compliance | YES |

| Application | |
|-------------------|--|
| Illumination Type | Direct, Rectangular SMD Illumination |
| Application Use | General Illumination, Label Inspection, Character Inspection, Code Recognition |



OPTO ENGINEERING

ILLUMINATOR DATA

LTZPFL200-00-3-IR850-24V

| Lighting Pattern | | | | |
|-------------------|--|-----------|----------|-----------|
| Working Distance | For further details please contact us. | | | |
| Display and Image | | | | |
| Data Results | Horizontal | Meas.(mm) | Vertical | Meas.(mm) |
| | 90% | | 90% | |
| | 80% | | 80% | |
| | 70% | | 70% | |
| | 60% | | 60% | |
| | 50% | | 50% | |
| | 40% | | 40% | |
| | 30% | | 30% | |
| | 20% | | 20% | |
| | 10% | | 10% | |